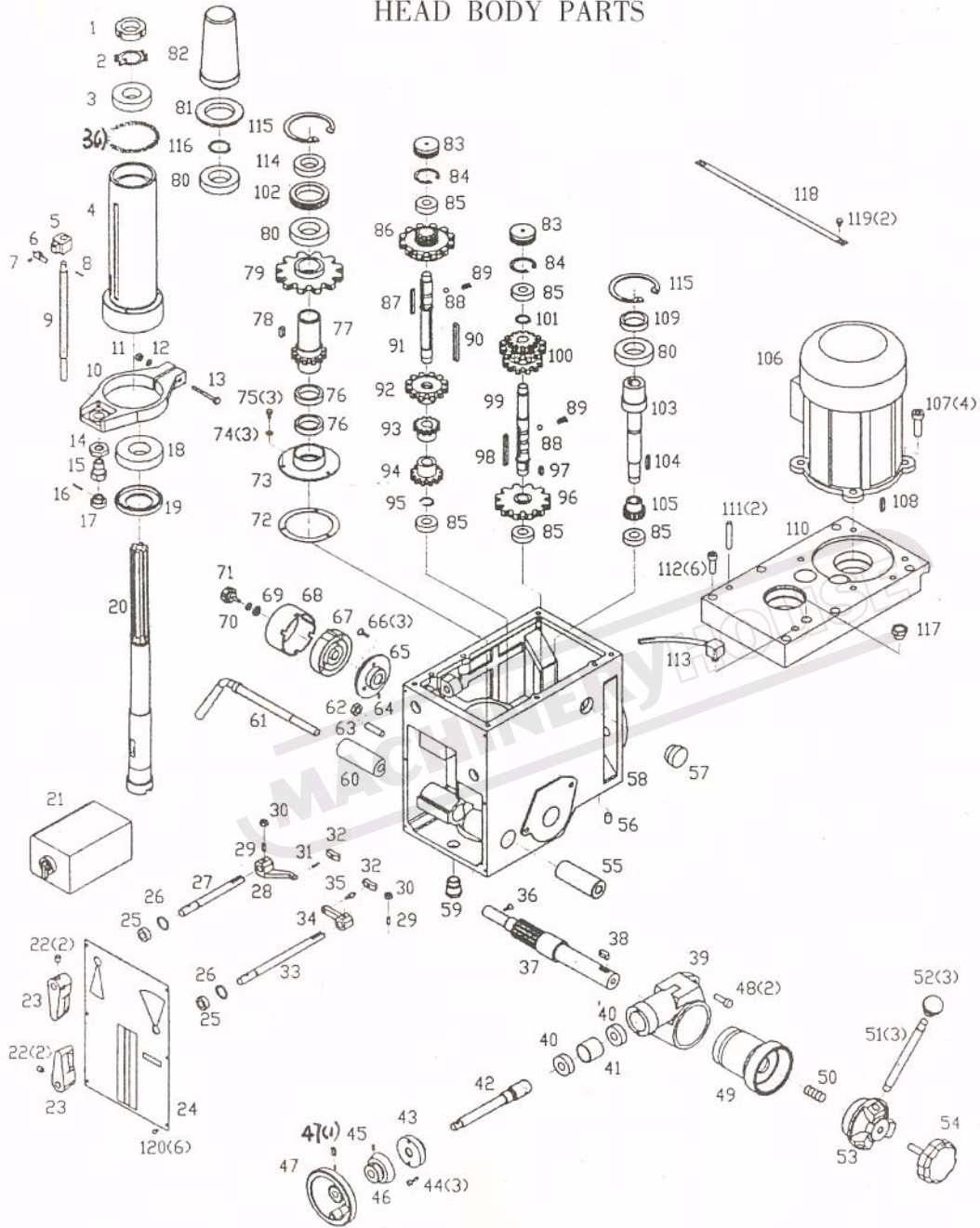
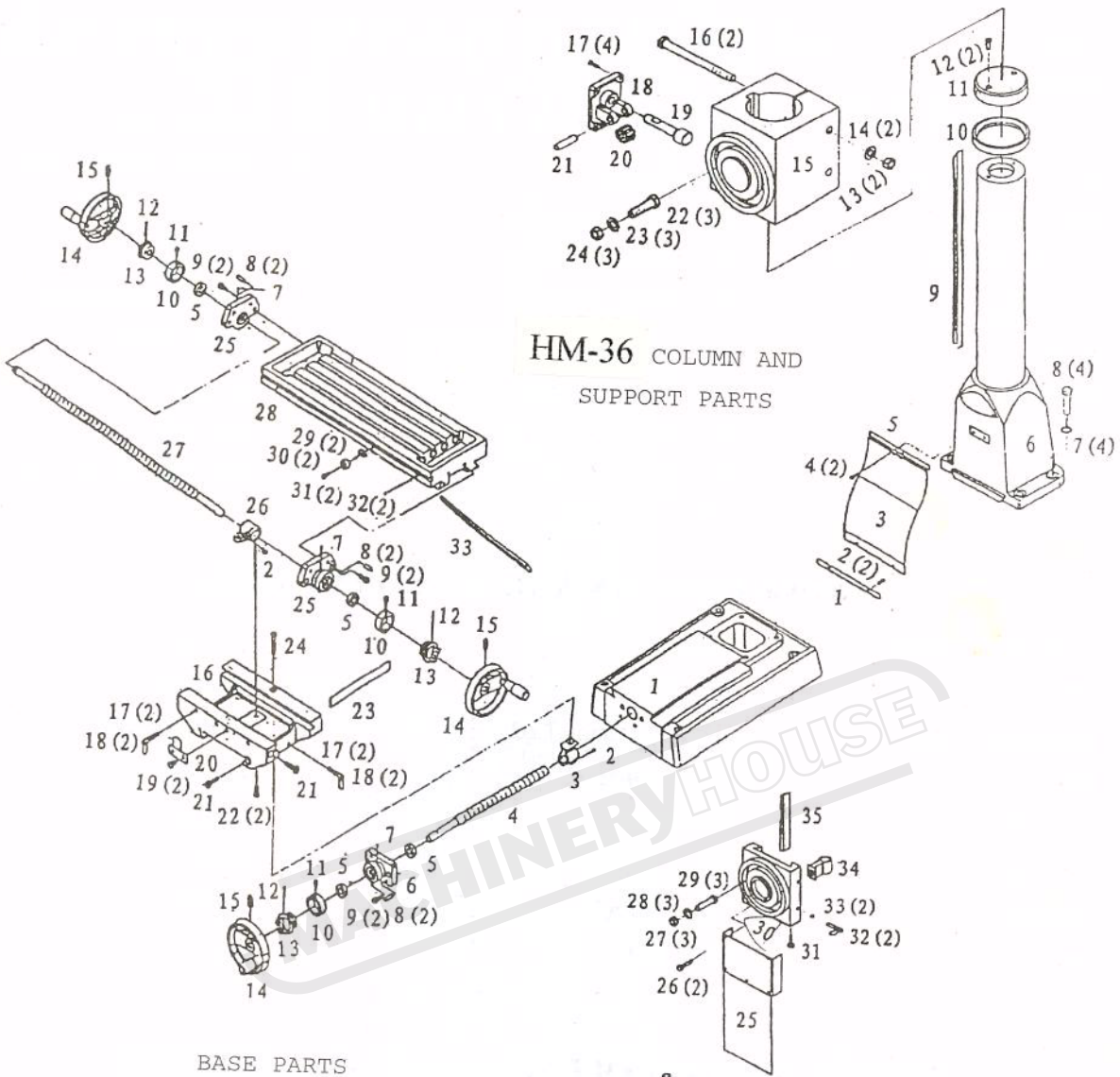


HEAD BODY PARTS



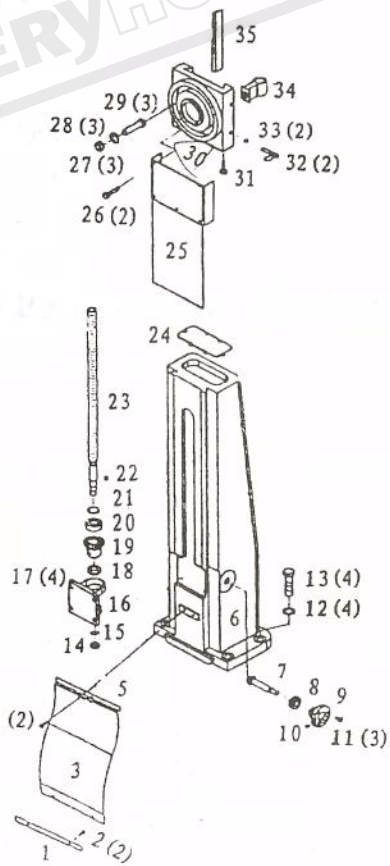
HM-36), ZX7040. HM-46 HEAD BODY

1	lock nut	41	separating ring	81	arbor bolt cover base
2	lock washer	42	worm shaft	82	arbor bolt cover
3	ball bearing	43	worm cover	83	cap
3(1)	washer	44	screw	84	retainging ring
4	sleeve	45	screw	85	ball bearing
5	fixed bolt	46	graduation plate	86	gear
6	scale-board	47	handle wheel	87	key
7	screw	47(1)	screw	88	steel ball
8	pin	48	screw	89	spring
9	graduated rod	49	worm gear	90	key
10	feed base	50	spring	91	shaftIII
11	nut	51	handle rod	92	gear
12	washer	52	handle ball	93	gear
13	screw	53	handle body	94	gear
14	nut	54	big ripple handle	95	retainging ring
15	support	55	fixed tight collar	96	gear
16	pin	56	oil cover	97	key
17	knob	57	oil pointer	98	key
18	ball bearing	58	head body	99	shaft II
19	bearing cup	59	fixed nut	100	gear
20	spindle	60	fixed tight collar	101	retainging ring
21	electric box	61	handle rod	102	separating ring
22	screw	62	nut	103	motor shaft
23	speed lever	63	screw	104	key
24	name plate	64	pin	105	gear
25	oill seal	65	spring base	106	motor
26	retainging ring	66	washer	107	screw
27	lever shaft(left)	67	spring plate	108	key
28	lever(left)	68	spring cap	109	oil seal
29	screw	69	washer	110	head body cover
30	nut	70	washer	111	pin
31	pin	71	small ripple handle	112	screw
32	lever bracket	72	airtight ring	113	pipe radiator
33	lever shaft(right)	73	airtight base	114	oil seal
34	lever(right)	74	washer	115	retainging ring
35	pin	75	screw	116	retainging ring
36	screw	76	oil seal	117	oil cap
37	pinion shaft	77	gear	118	degree-meter
38	key	78	key	119	screw
39	feed cover	79	gear	120	screw
40	ball bearing	80	ball bearing		



BASE PARTS

HM-46
COLUMN AND SUPPORT



BASE PARTS

1	base	12	pin	23	gib strip
2	screw	13	dial clutch	24	screw
3	guide screw nut	14	handwheel	25	right support
4	protect board	15	screw	26	guide screw nut
5	ball bearing	16	slip saddle	27	guide screw
6	guide screw support	17	steel ball	28	table
7	oil cup	18	lock handle	29	ladder-shaped nut
8	pin	19	screw	30	stop lump
9	screw	20	stop lump	31	screw
10	graduation plate	21	gib screw nut	32	oil cup
11	screw	22	bolt	33	gib strip screw

HM-36 COLUMN AND SUPPORT PARTS

1	protect board slice	9	rack	17	screw
2	bolt	10	link	18	bracket
3	protect board	11	column lid	19	worm shaft
4	bolt	12	washer	20	gear
5	protect board fixed	13	nut	21	shaft
6	column	14	washer	22	bolt
7	washer	15	toraise and lower	23	washer
8	bolt	16	bolt	24	nut

HM-46 ZX7045 COLUMN AND SUPPORT PARTS

1	protect board slice	13	bolt	24	column nut
2	bolt	14	round nut	25	artidust plate
3	protect board	15	tab washer for round nut	26	screw
4	bolt			27	nut
5	protect board fixed	16	head raise bracket	28	washer
6	column	17	screw	29	boit
7	gear shaft	18	ball bearing	30	toruise and lower
8	ball bearing	19	gear	31	screw
9	head raise bracket	20	ball bearing	32	lock handle
10	oil cup	21	retainger ring	33	steel ball
11	screw	22	key	34	column nut
12	washer	23	guide screw	35	grib strip